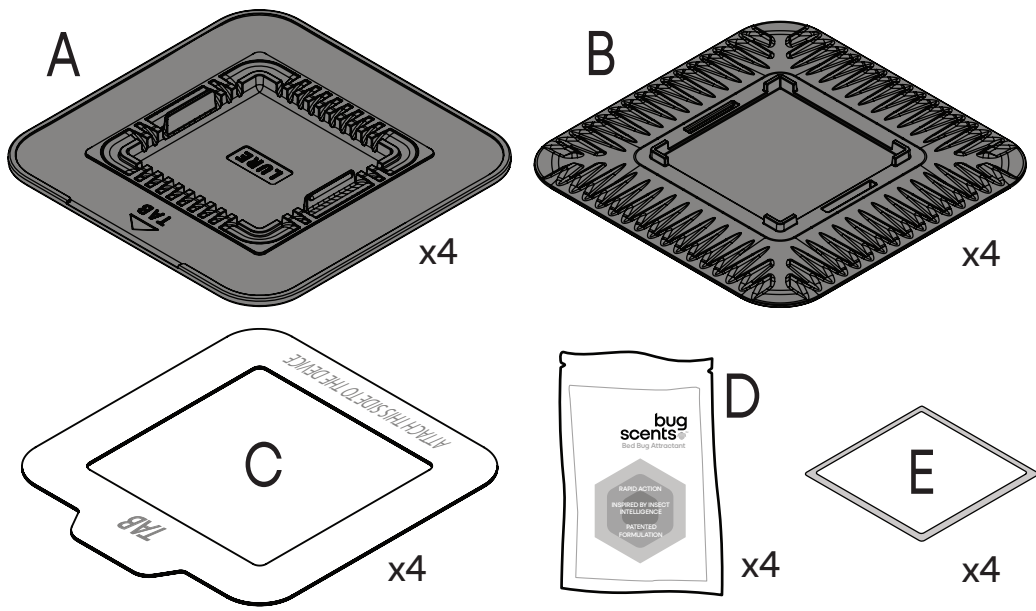
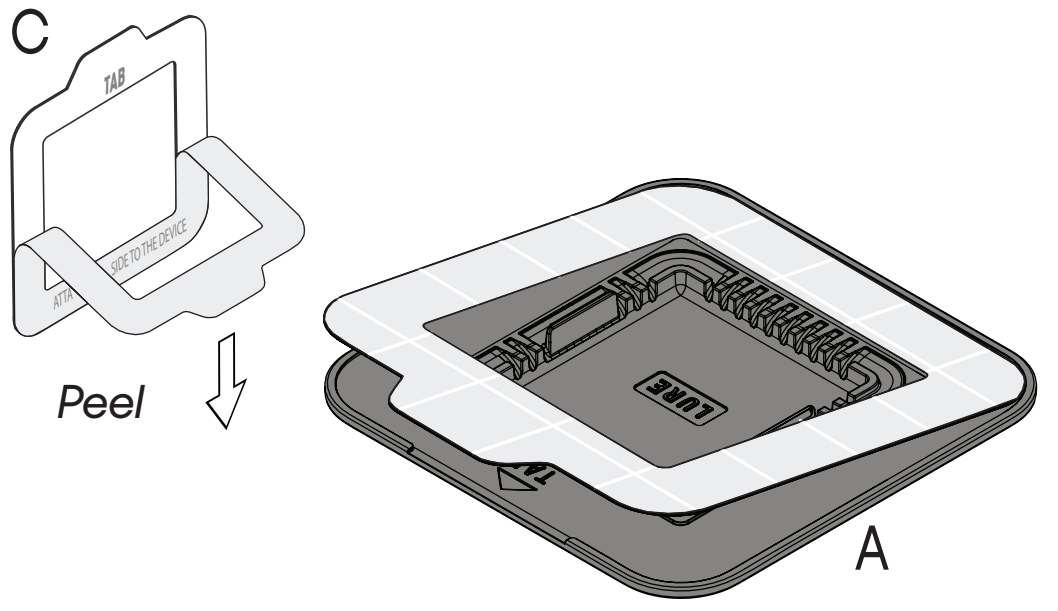


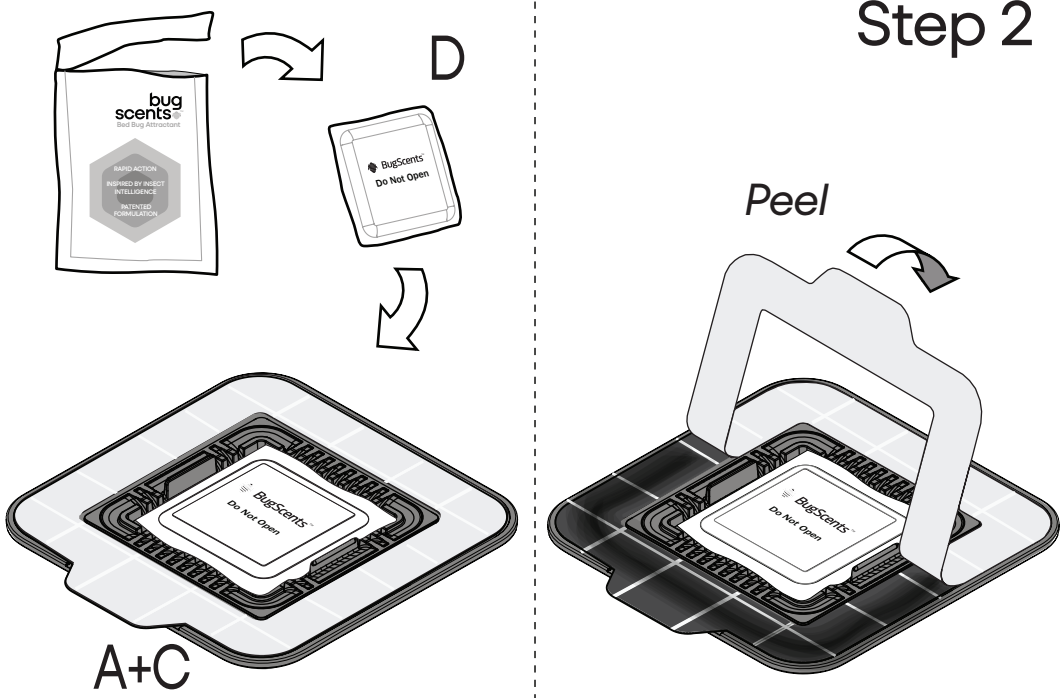
## Contents



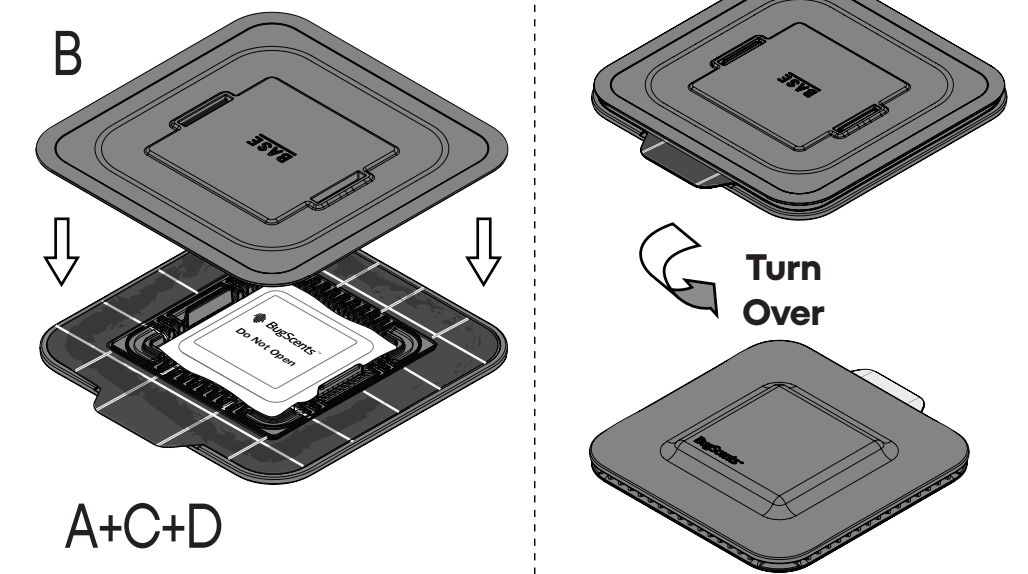
## Step 1



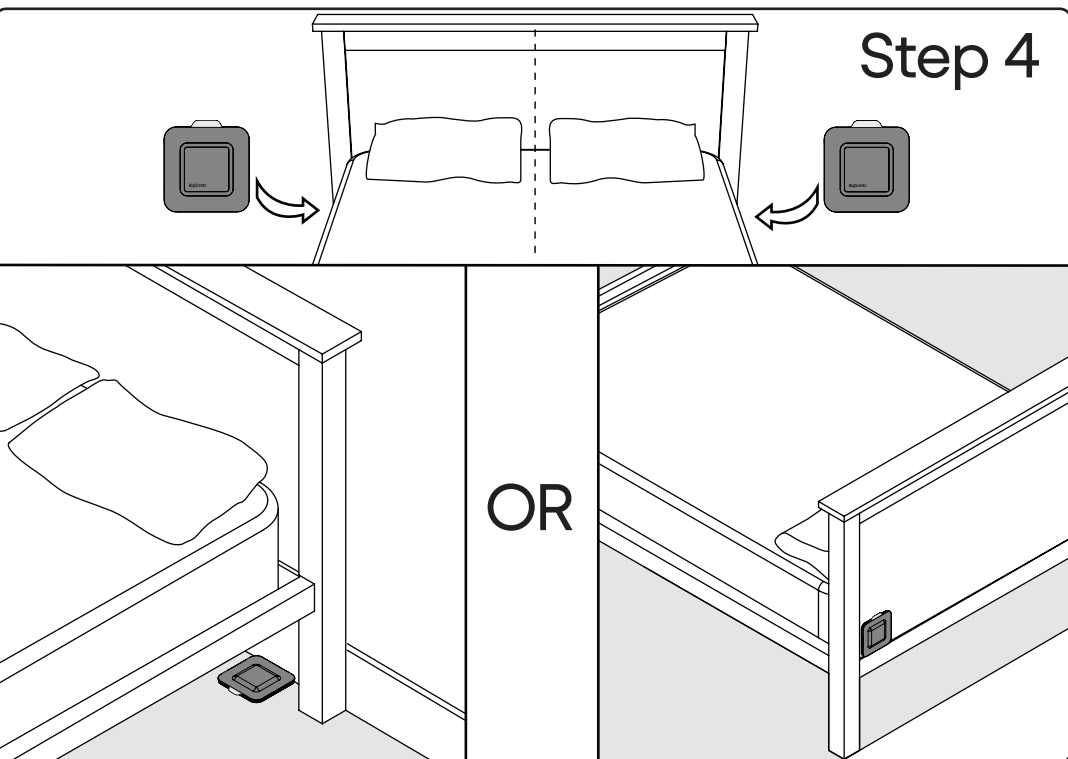
## Step 2



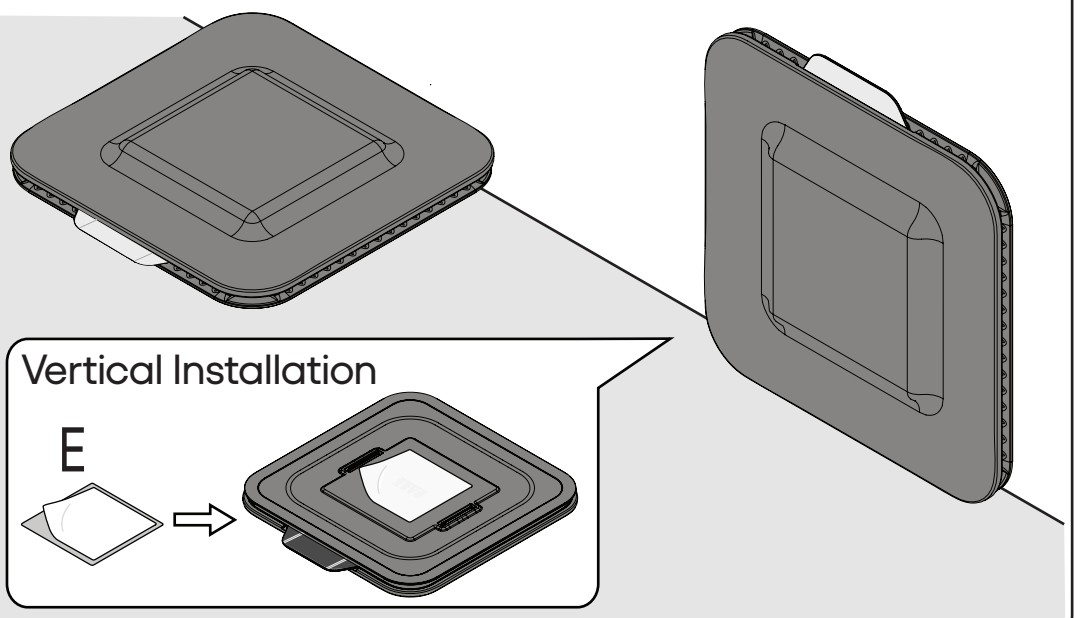
## Step 3



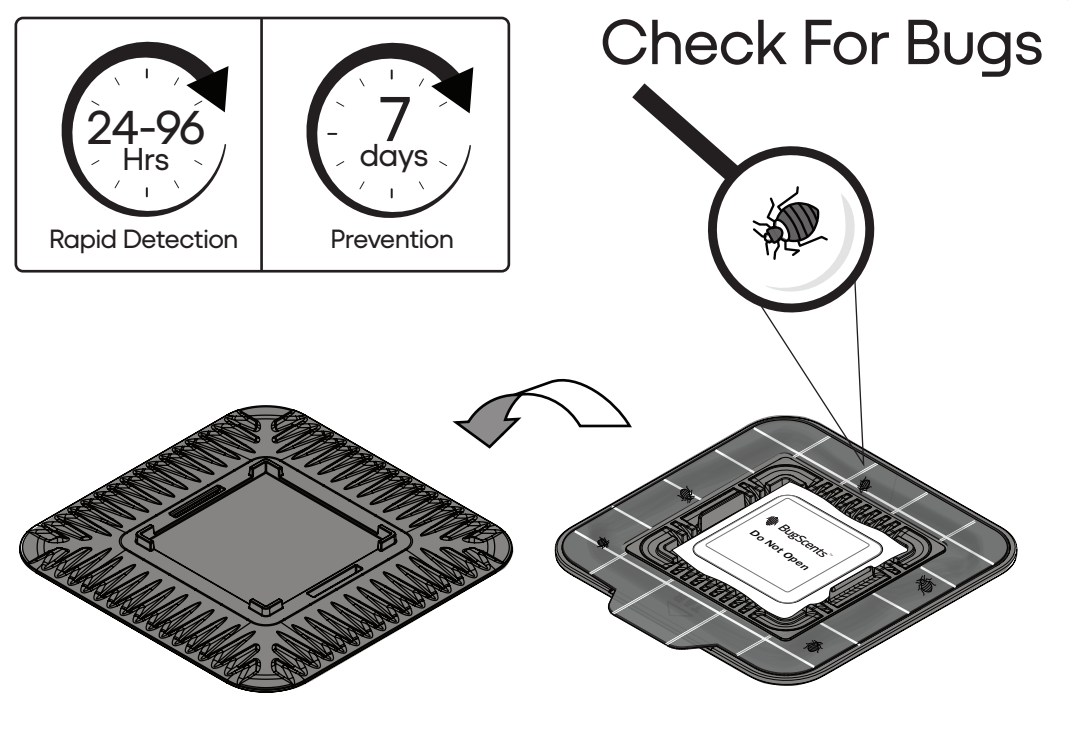
## Step 4



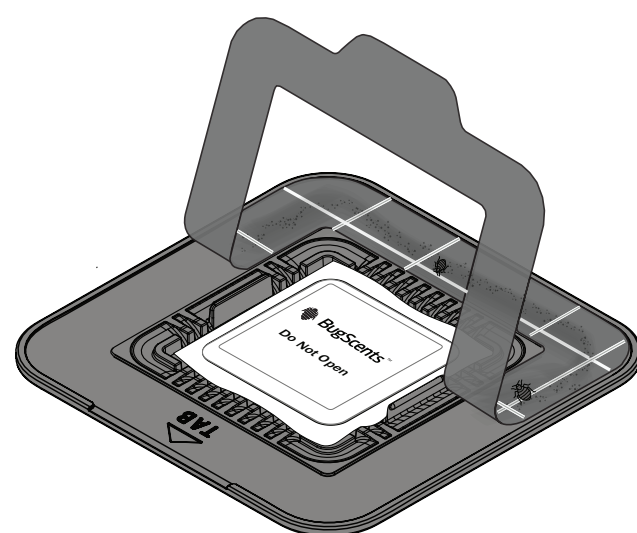
## Positioning



## Check For Bugs



## Reuse



Replace glue board as needed

Repeat Steps 1-4